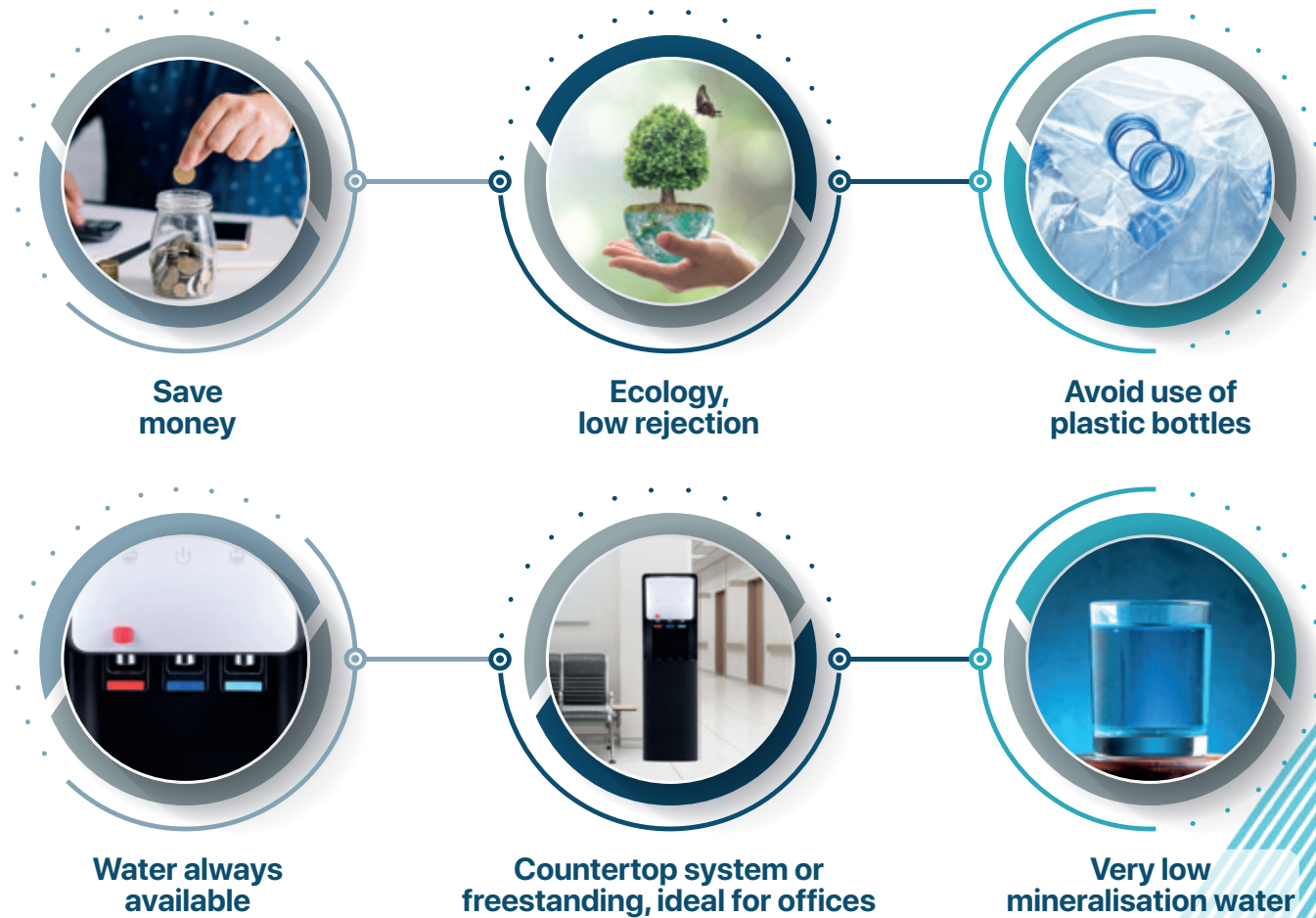


COLD, HOT AND NATURAL WATER DISPENSERS



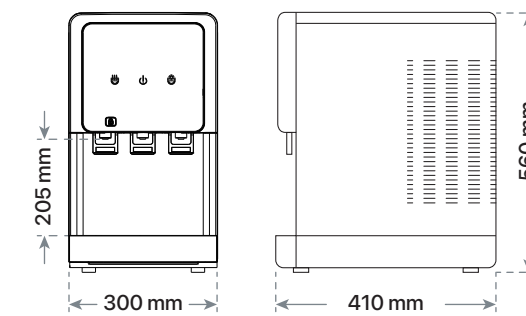
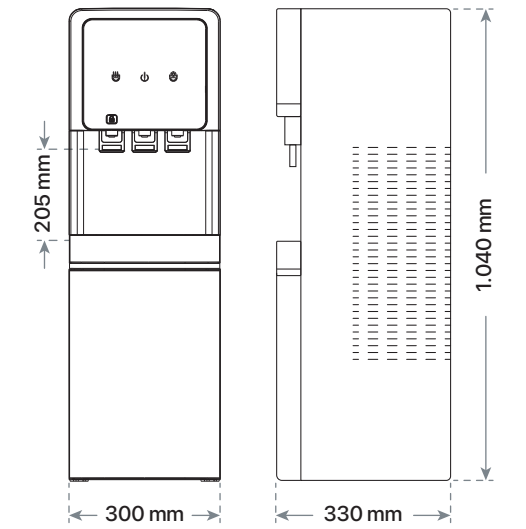
DO YOU KNOW THE ADVANTAGES OF WATER DISPENSERS?



Technical data

- Cold water tank: 2L.
- Natural water tank: 1,3L.
- Hot water tank: 1,3L.
- 3 temperatures.
- Environmentally friendly refrigerant gas R600a

NO REPLACEMENT BOTTLES



AVAILABLE IN TWO SIZES



ECCOFRESH
drink different

**AVOID THE
CONSUMPTION
OF PLASTIC
BOTTLES AT
YOUR HOME**



ECCOFRESH
drink different



**DRINK PURE
COLD WATER**



 **bajada**
NEW ENERGY

ECCOFRESH
drink different

bajadanewenergy.com